

## Installation Instructions

The **P60 PRO Roof Vent** is an exhaust vent that will help rid your attic of damaging heat and moisture when properly installed and used in conjunction with proper intake vents.

**NOTE:** Most codes concerning residential attic ventilation require a balanced system of 50% exhaust vents and 50% intake vents. When this balanced system is used, the P60 PRO roof vent meets or exceeds residential attic ventilation codes.

**IMPORTANT! READ ALL INSTRUCTIONS THOROUGHLY BEFORE INSTALLING.**

### ITEMS NEEDED FOR INSTALLATION

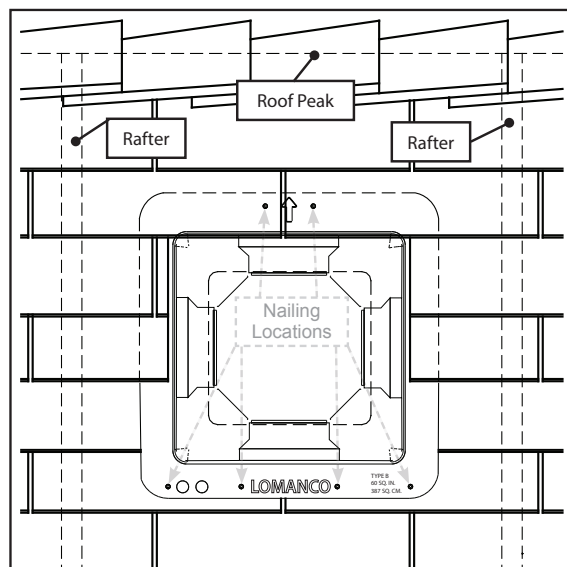
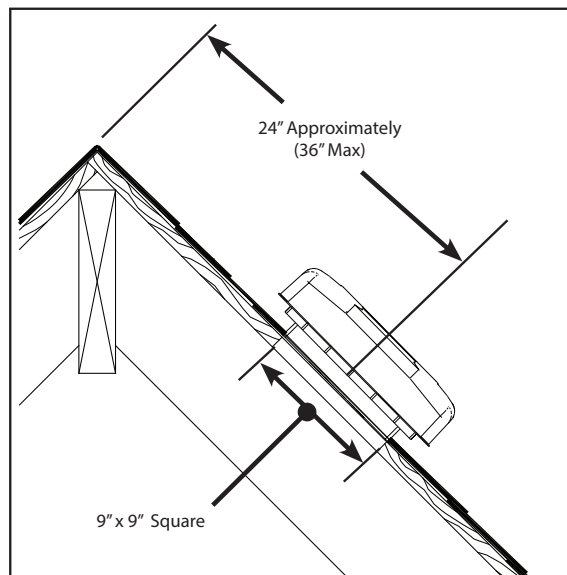
- JIGSAW
- TAPE MEASURE
- UTILITY KNIFE
- DRILL WITH 1/2" BIT
- SCRIBE OR MARKER
- SILICONE ROOFING SEALANT
- HAMMER AND ROOFING NAILS

### IMPORTANT!

- Examine your roof configuration and determine the correct amount of exhaust vents needed for proper ventilation of your space.
- Ensure installation of roof vents comply with all local codes and standards.

### INSTALLATION

1. Vents should be evenly spaced on the rear slope of the roof.
2. Center the vent opening between rafters and roughly 24" (36" Max.) down from the ridge line to keep the top of the roof vent below the ridge line. Mark this position.
3. Using marked position as center-point, scribe a 9"x 9" square. Drill a starter hole inside the scribed lines.
4. Saw out the vent hole using the drilled starter hole.
5. Carefully remove roofing nails from top row of shingles so the flashing of the roof vent will slide under the shingles.
6. Carefully slide the base of the vent under the shingles with the embossed arrow pointing up towards the roof's ridge. Make sure the throat of vent is centered over the vent hole. USING THE PROVIDED HOLES, fasten the base to the roof decking with roofing nails.
7. Finish mounting by sealing all seams and nails with non-petroleum based sealant, such as waterproof caulking or silicone.



### 3 MUST DO STEPS TO ATTIC VENTILATION

- 1** **Install all Exhaust Ventilation at the SAME HEIGHT within a common attic area.**  
Installation of exhaust vents at more than one level on a roof allows the upper exhaust vent to pull air in from lower exhaust vents rather than from the intake vents. Intake air must come from intake vents located near the lower part of the attic space to properly ventilate the total attic area and eliminate weather infiltration.
- 2** **Install ONLY ONE TYPE of Exhaust Ventilation within a common attic area.**  
Exhaust Vents pull air from the easiest intake source. Vent types cannot be mixed. The use of different types of exhaust vents could make one of the vents act as intake for the other. Intake air must come from intake vents located near the lower part of the attic space to properly ventilate the total attic area and eliminate weather infiltration.
- 3** **Install a BALANCED SYSTEM of Intake and Exhaust Ventilation.**  
**50% Intake Ventilation** - Intake vents located near the lower part of the attic area are required to balance out your ventilation system.  
**50% Exhaust Ventilation** - Exhaust vents located near the upper part of the attic area are required to balance out your ventilation system.

Scan the QR code  
to access additional  
information

