

KitchenPRO Exhaust Fan Roof Jack

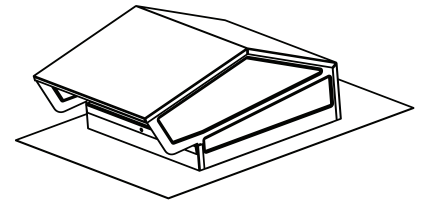
INSTALLATION INSTRUCTIONS

IMPORTANT!

- Installation of Lomanco Vents should comply with all local codes and standards.
- Do not install roof jack on a flat roof.
- Do not use roof jack on a dryer exhaust vent.
- **WARNING!** Sharp edges are exposed during installation. Use gloves and other appropriate safety equipment to avoid injury.

Color Note: The black painted finish of the KV6810 can be used as-is or as a primer coat for a color finish of your choice. Clean the surface of all dirt, grease and oil before applying a color finish. Use a high quality finish to best serve the conditions of your application.

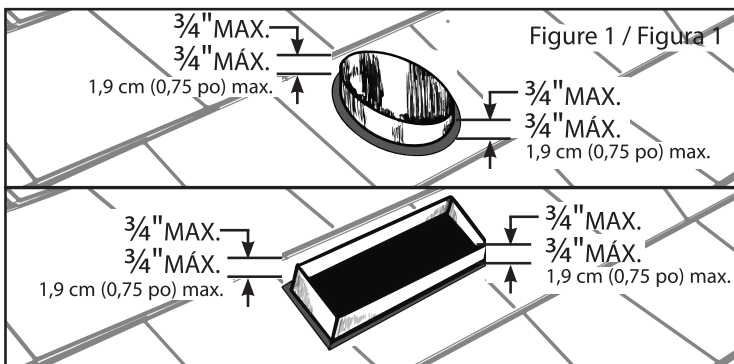
MODEL KV68



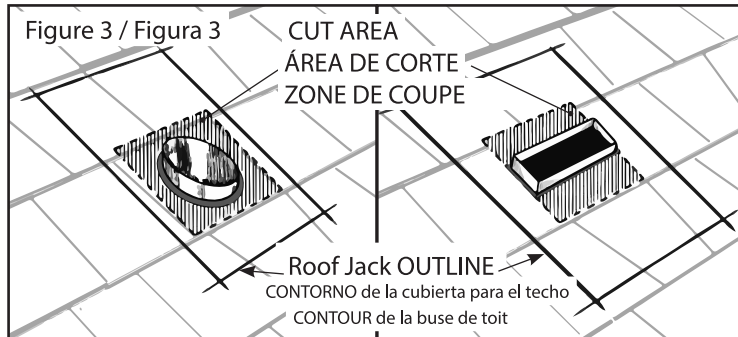
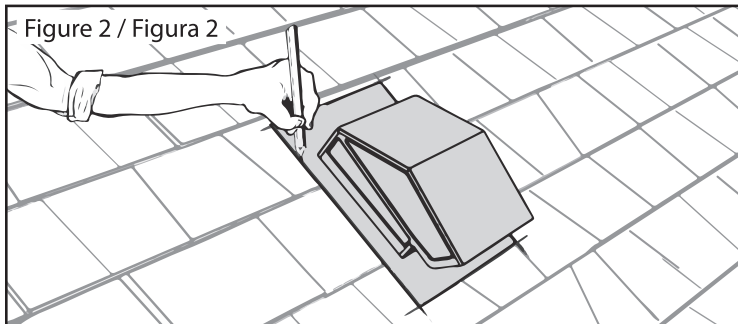
EXHAUST FAN ROOF JACK FOR 6" - 8" ROUND OR 3 1/4" X 10" DUCTWORK

INSTALLATION:

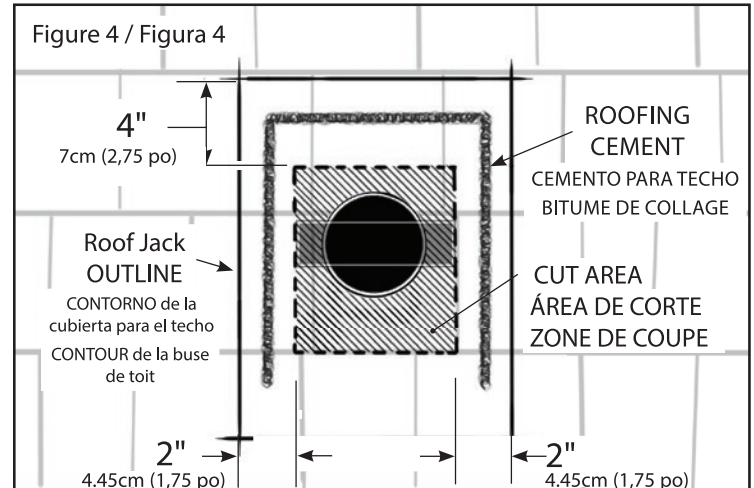
1. Determine the install location of the TopShield® Model KV68 roof jack. Comply with all local codes and standards.
2. Cut a hole in the roof to adequately accommodate the ductwork diameter.
3. Affix ductwork a maximum of 3/4" above and parallel to the roof surface. (Figure 1)



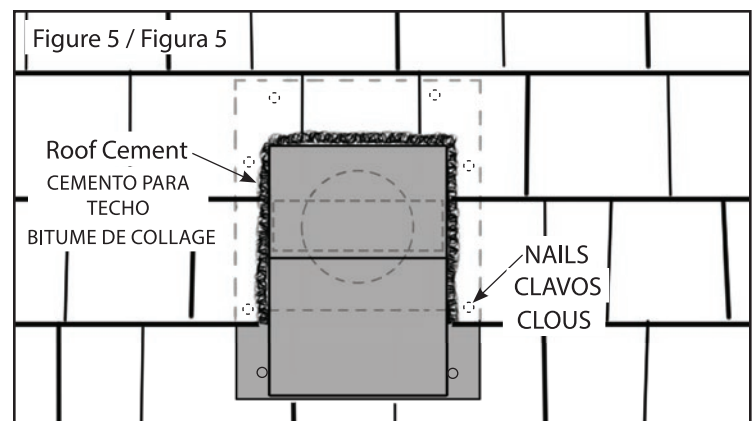
4. Position and center the roof jack over ductwork and mark the outline of the flange. (Figure 2, Figure 3)



5. Cut shingles as shown allowing the shingles to fit around the housing of the roof jack when installed. Apply roofing cement to seal around the ductwork as shown below. (Figure 4)



6. Carefully slide the base of the roof jack under the shingles with the screened opening pointing down towards the roof eave. Note that some nails may have to be raised or removed to allow the adapter to slide into place. Make sure the throat of the roof jack is centered over the exposed ductwork. Fasten the base to the roof decking with roofing nails located as shown below. (Figure 5)



7. Finish by sealing all seams and nails with roofing cement. Also use roofing cement to fasten down loose edges of shingles. Make certain the pest screen is in place.