



SHUTTERS & SIDING ACCESSORIES CATALOG

LOUVER SHUTTERS • RAISED PANEL SHUTTERS • BOARD-N-BATTEN SHUTTERS
MOUNT BLOCKS • UTILITY VENTS • GABLE VENTS

TOPSHIELDPRODUCTS.COM

TOPSHIELD® STANDARD OPEN LOUVER SHUTTER

- 16 Colors** 001, 002, 004, 008, 009, 010, 018, 023, 027, 028, 036, 078, 117, 122, 166, 167 and paintable (030)
- Widths** 12" and 14-1/2" (widths are nominal)
- Lengths** 25", 31", 36", 39", 43", 48", 52", 55", 60", 64", 67", 72", 75", & 80" (lengths are nominal)
- Packaged** Shutters 43" and under receive 8 pack of Shutter-Loks®. Shutters over 47" receive 12 pack of Shutter-Loks®.

Size	Item #	Size	Item #
12" x 25"	MTS 01 1225 ***	14-1/2" x 25"	MTS 01 1425 ***
12" x 31"	MTS 01 1231 ***	14-1/2" x 31"	MTS 01 1431 ***
12" x 36"	MTS 01 1236 ***	14-1/2" x 36"	MTS 01 1436 ***
12" x 39"	MTS 01 1239 ***	14-1/2" x 39"	MTS 01 1439 ***
12" x 43"	MTS 01 1243 ***	14-1/2" x 43"	MTS 01 1443 ***
12" x 48"	MTS 01 1248 ***	14-1/2" x 48"	MTS 01 1448 ***
12" x 52"	MTS 01 1252 ***	14-1/2" x 52"	MTS 01 1452 ***
12" x 55"	MTS 01 1255 ***	14-1/2" x 55"	MTS 01 1455 ***
12" x 60"	MTS 01 1260 ***	14-1/2" x 60"	MTS 01 1460 ***
12" x 64"	MTS 01 1264 ***	14-1/2" x 64"	MTS 01 1464 ***
12" x 67"	MTS 01 1267 ***	14-1/2" x 67"	MTS 01 1467 ***
12" x 72"	MTS 01 1272 ***	14-1/2" x 72"	MTS 01 1472 ***
12" x 75"	MTS 01 1275 ***	14-1/2" x 75"	MTS 01 1475 ***
12" x 80"	MTS 01 1280 ***	14-1/2" x 80"	MTS 01 1480 ***



TOPSHIELD® STANDARD RAISED PANEL SHUTTER

- 16 Colors** 001, 002, 004, 008, 009, 010, 018, 023, 027, 028, 036, 078, 117, 122, 166, 167 and paintable (030)
- Widths** 12" and 14-3/4" (widths are nominal)
- Lengths** 31", 35", 39", 43", 47", 51", 55", 59", 63", 67", 67" Cottage Style, 71", 75", & 80" (lengths are nominal)
- Packaged** Shutters 43" and under receive 8 pack of Shutter-Loks®. Shutters over 46" receive 12 pack of Shutter-Loks®.

Size	Item #	Size	Item #
12" x 31"	MTS 02 1231 ***	14-3/4" x 31"	MTS 02 1431 ***
12" x 35"	MTS 02 1235 ***	14-3/4" x 35"	MTS 02 1435 ***
12" x 39"	MTS 02 1239 ***	14-3/4" x 39"	MTS 02 1439 ***
12" x 43"	MTS 02 1243 ***	14-3/4" x 43"	MTS 02 1443 ***
12" x 47"	MTS 02 1247 ***	14-3/4" x 47"	MTS 02 1447 ***
12" x 51"	MTS 02 1251 ***	14-3/4" x 51"	MTS 02 1451 ***
12" x 55"	MTS 02 1255 ***	14-3/4" x 55"	MTS 02 1455 ***
12" x 59"	MTS 02 1259 ***	14-3/4" x 59"	MTS 02 1459 ***
12" x 63"	MTS 02 1263 ***	14-3/4" x 63"	MTS 02 1463 ***
12" x 67"	MTS 02 1267 ***	14-3/4" x 67"	MTS 02 1467 ***
12" x 67" cottage style	MTS 02 6712 ***	14-3/4" x 67" cottage style	MTS 02 6714 ***
12" x 71"	MTS 02 1271 ***	14-3/4" x 71"	MTS 02 1471 ***
12" x 75"	MTS 02 1275 ***	14-3/4" x 75"	MTS 02 1475 ***
12" x 80"	MTS 02 1280 ***	14-3/4" x 80"	MTS 02 1480 ***

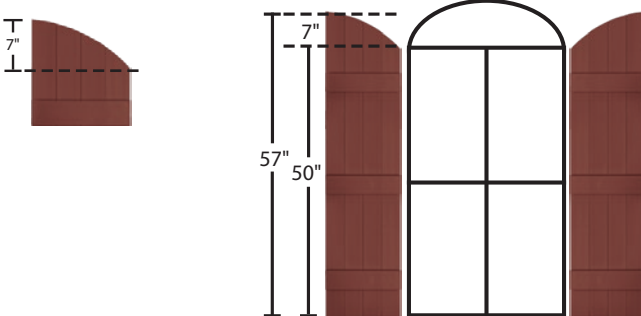


TOPSHIELD® STANDARD BOARD-N-BATTEN SHUTTERS

- 16 Colors** 001, 002, 004, 008, 009, 010, 018, 023, 027, 028, 036, 078, 117, 122, 166, 167 and paintable (030).
- Widths** Spaced – 12"
Joined – 14"
(widths are nominal)
- Lengths** From 31" to 80" (lengths are nominal)
Shutters under 55" in length will have 2 cross battens.
Shutters 55" and over will have 3 cross battens.
- Packaged** Boxed pairs with 12 screws.



NOTE: When ordering 4-Board Joined with Arch Top shutters add 7" to the window opening height to determine total shutter height. For example: 50" high window opening + 7" arch = 57" shutter.



12" Width 3-Board Spaced		14" Width 4-Board joined		14" Width 4-Board joined w/arch top	
Size	Item #	Size	Item #	Size	Item #
12" x 31"	MTS 03 1231***	14" x 31"	MTS 03 1431***	14" x 45"	MTS 33 1445***
12" x 35"	MTS 03 1235***	14" x 35"	MTS 03 1435***	14" x 49"	MTS 33 1449***
12" x 39"	MTS 03 1239***	14" x 39"	MTS 03 1439***	14" x 53"	MTS 33 1453***
12" x 43"	MTS 03 1243***	14" x 43"	MTS 03 1443***	14" x 57"	MTS 33 1457***
12" x 47"	MTS 03 1247***	14" x 47"	MTS 03 1447***	14" x 61"	MTS 33 1461***
12" x 51"	MTS 03 1251***	14" x 51"	MTS 03 1451***	14" x 65"	MTS 33 1465***
12" x 55"	MTS 03 1255***	14" x 55"	MTS 03 1455***	14" x 69"	MTS 33 1469***
12" x 59"	MTS 03 1259***	14" x 59"	MTS 03 1459***	14" x 73"	MTS 33 1473***
12" x 63"	MTS 03 1263***	14" x 63"	MTS 03 1463***	14" x 77"	MTS 33 1477***
12" x 67"	MTS 03 1267***	14" x 67"	MTS 03 1467***	14" x 81"	MTS 33 1481***
12" x 71"	MTS 03 1271***	14" x 71"	MTS 03 1471***	14" x 85"	MTS 33 1485***
12" x 75"	MTS 03 1275***	14" x 75"	MTS 03 1475***	14" x 89"	MTS 33 1489***
12" x 80"	MTS 03 1280***	14" x 80"	MTS 03 1480***	14" x 94"	MTS 33 1494***

*** Indicates color numbers

TOPSHIELD® SHUTTER ACCESSORIES

Product	Packaged	Item #	Color
Shutter-Lok®	12 per bag	MTS 97 3012 ***	Stock Colors & paintable (030)
Shutter-Lok®	10 pack (12 pack bags)	MTS 97 5010 ***	Stock Colors & paintable (030)
Shutter-Lok®	50 pack (12 pack bags)	MTS 97 5050 ***	Stock Colors & paintable (030)
Decorative Hinge & S-Hook	4 Hinges, 2 Hooks/bag, 6 Bags/box	MTS 97 0642 002	Black
3" Painted Screws	12 per bag	MTS 97 2012 ***	Stock Colors & paintable (030)



Shutter-Lok®
U.S. Patent No. 4,381,633



Decorative Hinge and S-Hook



3" Painted Screws

TOPSHIELD® SHUTTER TOPS

16 Colors 001, 002, 004, 008, 009, 010, 018, 023, 027,028, 036,078, 117,122, 166, 167 and paintable (030)

Packaged Boxed pairs with clips.

Product	Size	Item #	Packaged	Use With
Quarter Round Arch Top	14¾" Raised Panel	MTS 97 0003 ***	Boxed pair with clips	14¾" Standard Raised Panel Shutter only
	12" Raised Panel	MTS 97 1200 ***		12" Standard Raised Panel Shutter only
	14½" Solid	MTS 97 0004 ***	Boxed pair with clips	14½" Standard Louver Shutter only
	14½" x 17" Louver	MTS 97 0002 ***		14½" Standard Louver Shutter only
6" Elliptical	14¾" x 6"	MTS 97 0601 ***	Boxed pair with clips	14¾" Standard Raised Panel Shutter only
Transom Top	14¾" x 11¾"	MTS 97 1411 ***	Boxed pair with clips	14¾" Standard Raised Panel Shutter only
	12" x 12"	MTS 97 1211 ***	Boxed pair with clips	12" Standard Raised Panel Shutter only



Quarter Round Arch Top Raised Panel



Quarter Round Arch Top Solid



Quarter Round Arch Top Open Louver



6" Elliptical Arch Top



Transom Top Add-On

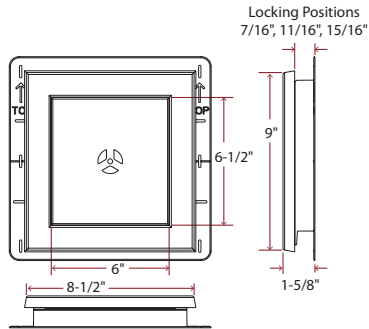
*** Indicates color numbers

WATER MANAGEMENT MOUNT BLOCKS

MOUNT – WM

Available in our full color offering

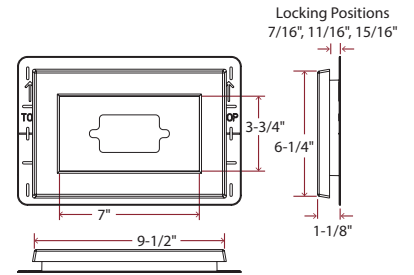
Item # MTS 03 7101*** 10 per box



HORIZONTAL RECESSED MOUNT – WM

Available in our full color offering

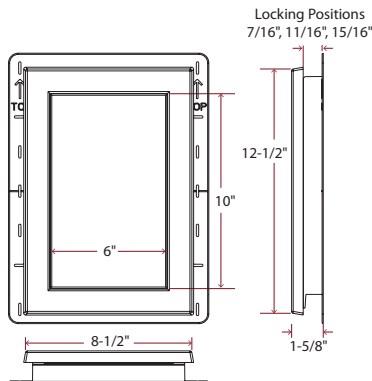
Item # MTS 03 7201*** 10 per box



JUMBO – WM

Available in our full color offering

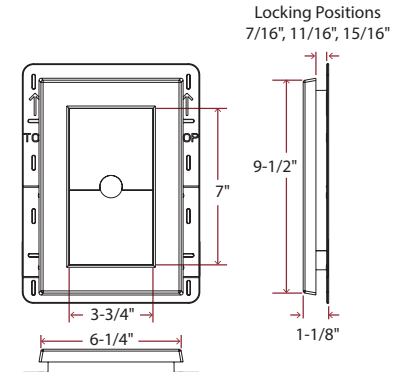
Item # MTS 03 7701*** 10 per box



SPLIT BLOCK – WM

Available in our full color offering.

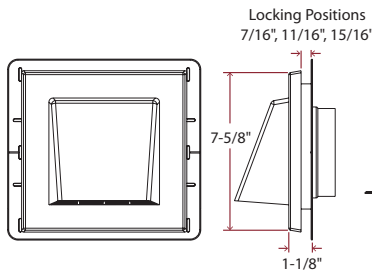
Item # MTS 03 7401*** 10 per box



4" HOODED VENT – WM

Available in our full color offering

Colors Item # MTS 03 7805*** 1 per box
White & Paintable Item # MTS 03 7804*** 4 per box



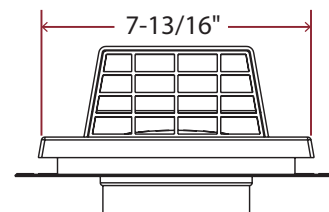
SMALL ANIMAL GUARD FOR 4" HOODED VENT – WM

Available in 001, 002, 023, 030

Colors Item # MTS 98 0707*** 1 per box

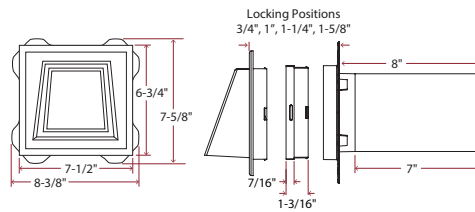
WIRE SCREEN FOR 4" HOODED VENT – WM

Item # MTS 98 0876 000 1 per box



*** Indicates color numbers

MOUNT BLOCKS & UTILITY VENTS FOR INSULATED SIDING



4" HOODED VENT FOR INSULATED SIDING

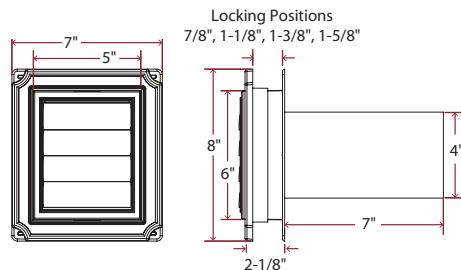
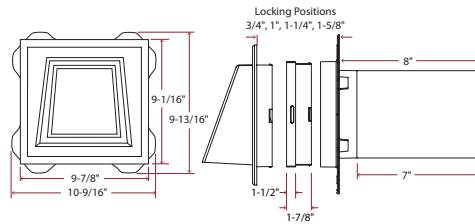
Colors Item # MTS 03 5805 *** 1 per box
White (001) & Paintable (030) Item # MTS 03 5804 *** 4 per box

- Locking positions .75", 1.00", 1.25", 1.50"
- Concealed exhaust flap
- Includes 7" long aluminum tube (4" dia.)
- 12 sq. in. net free ventilation area
- 1/4" Wire screen available, ordered separately Item # 00980886000

6" HOODED VENT FOR INSULATED SIDING

Colors Item # MTS 03 6806 *** 1 per box

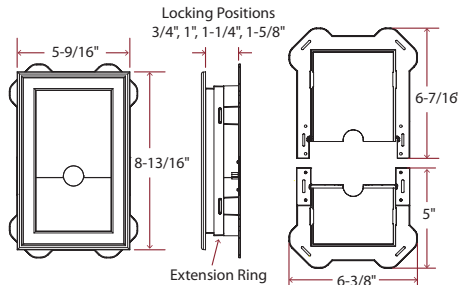
- Locking positions .75", 1.00", 1.25", 1.625"
- Concealed exhaust flap
- Wire screen included
- Includes 7" long aluminum tube
- 25 sq. in. net free ventilation area



EXHAUST VENT FOR INSULATED SIDING

Scalloped Item # MTS 03 5801 *** 4 per box

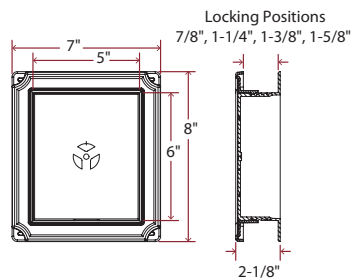
- Locking positions .875", 1.125", 1.375", 1.625"
- Exhaust flaps stay closed when not in use
- Lock-On Trim Ring simplifies installation
- Includes 7" long aluminum tube (4" dia.)
- 12 sq. in. net free ventilation area



SPLIT BLOCK FOR INSULATED SIDING

Item # MTS 03 5401 *** 10 per box

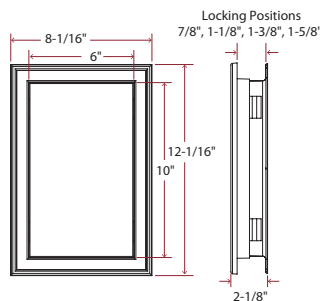
- Locking positions .75", 1.00", 1.25", 1.625"
- Ring and block split apart
- Block splits apart
- Fits around existing pipes and wires



ORIGINAL MOUNT FOR INSULATED SIDING

Scalloped Item # MTS 03 5101 *** 10 per box

- Locking positions .875", 1.125", 1.375", 1.625"
- Provides level and waterproof surface for all exterior accessories



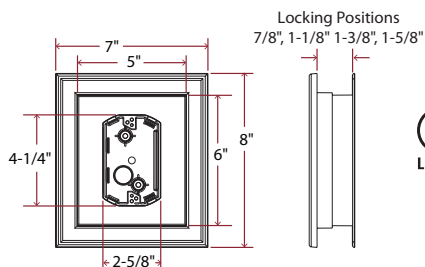
JUMBO MOUNT FOR INSULATED SIDING

Item # MTS 03 5701 *** 10 per box

- Locking positions .875", 1.125", 1.375", 1.625"
- For coach lamps, etc.

*** Indicates color numbers

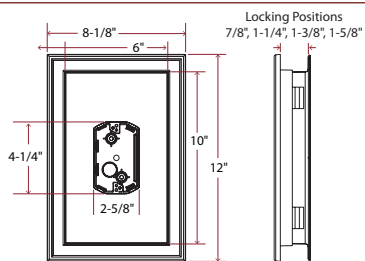
UL® LISTED ELECTRICAL MOUNT BLOCKS



ELECTRICAL BLOCK

Colors Item # MTS 03 1002 *** 2 per box
 White (001) & Paintable (030) Item # MTS 03 1001 *** 10 per box

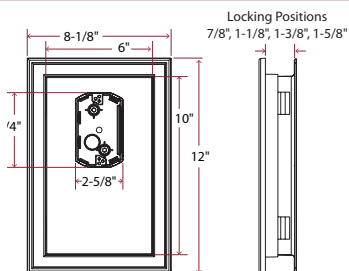
- Locking positions .875", 1.125", 1.375", 1.625"
- Electrical mounting block with UL listed 18 cu. in. outlet box
- Can be used on standard or insulated siding



JUMBO ELECTRICAL BLOCK—CENTERED

Colors Item # MTS 03 2022 *** 2 per box
 White (001) & Paintable (030) Item # MTS 03 2011 *** 10 per box

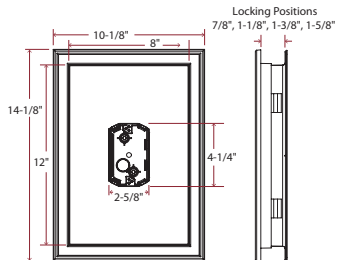
- Locking positions .875", 1.125", 1.375", 1.625"
- Electrical mounting block with UL listed 18 cu. in. outlet box
- Can be used on standard or insulated siding



JUMBO ELECTRICAL BLOCK – OFFSET

Colors Item # MTS 03 2002 *** 2 per box
 White (001) & Paintable (030) Item # MTS 03 2010 *** 10 per box

- Locking positions .875", 1.125", 1.375", 1.625"
- Electrical mounting block with UL listed 18 cu. in. outlet box
- Can be used on standard or insulated siding

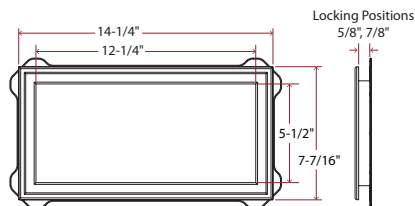


SUPER JUMBO ELECTRICAL BLOCK

Colors Item # MTS 03 3001 *** 1 per box
 White (001) & Paintable (030) Item # MTS 03 3011 *** 4 per box

- Locking positions .875", 1.125", 1.375", 1.625"
- For larger coach lamps and smaller electrical and water meters
- Can be used on standard or insulated siding

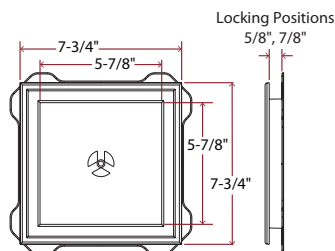
RECESSED MOUNT BLOCKS



RECESSED JUMBO

Item # MTS 03 2201 *** 10 per box

- Locking positions .625", .875"
- Low profile, inset block

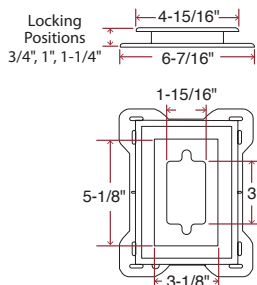


RECESSED SQUARE

Item # MTS 03 0202 *** 10 per box

- Locking positions .625", .875"
- Low profile, inset block

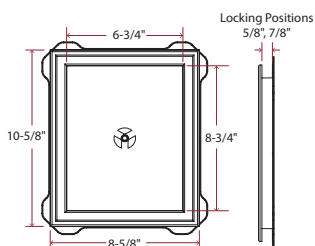
*** Indicates color numbers



RECESSED MINI

Item # MTS 03 0201 *** 10 per box

- Locking positions .75", 1.00", 1.25"
- Low profile, inset block

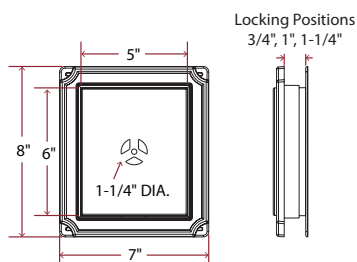


LARGE RECESSED MOUNT

Item # MTS 03 2401 *** 5 per box

- Locking positions .625", .875"
- Low profile, inset block

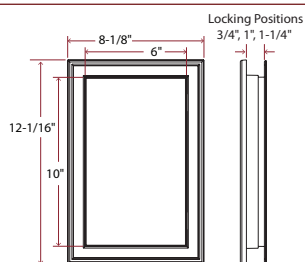
MOUNT BLOCKS



ORIGINAL MOUNT

Scalloped Item # MTS 03 0101 *** 10 per box
 Square Item # MTS 03 0102 *** 10 per box

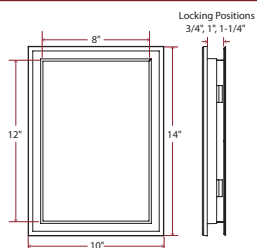
- Locking positions .75", 1.00", 1.25"
- Provides level and waterproof surface for all exterior accessories



JUMBO MOUNT

Item # MTS 03 2701 *** 10 per box

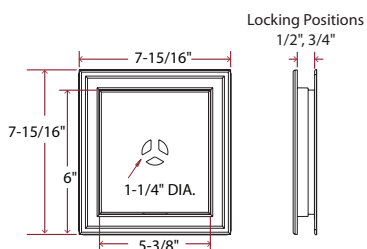
- Locking positions .75", 1.00", 1.25"
- For larger coach lamps and smaller electrical and water meters



SUPER JUMBO MOUNT

Colors Item # MTS 03 2801 *** 1 per box
 White (001) & Paintable (030) Item # MTS 03 2811 *** 4 per box

- Locking positions .75", 1.00", 1.25"
- For larger coach lamps and smaller electrical and water meters

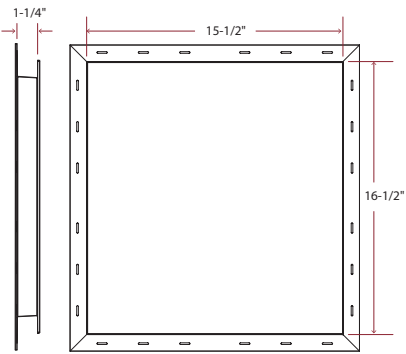


SLIM LINE

Item # MTS 03 0103 *** 10 per box

- Locking positions .50", .75"
- Low profile for soffits, etc.
- Provides level and waterproof surface for all exterior accessories

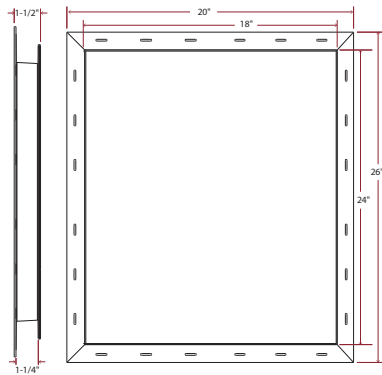
*** Indicates color numbers



METER BLOCK

Colors White (001) & Paintable (030) Item # MTS 03 0901 *** 1 per box
 Item # MTS 03 0930 *** 6 per box

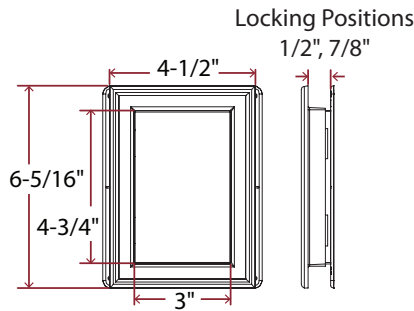
- For meters and extra large fixtures



JUMBO METER BLOCK

Colors White (001) & Paintable (030) Item # MTS 03 2901 *** 1 per box
 Item # MTS 03 2930 *** 4 per box

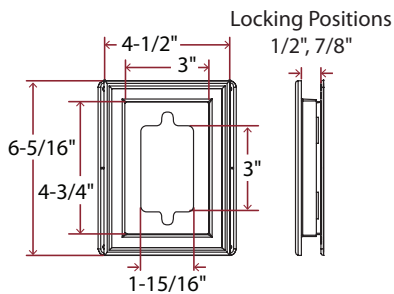
- For larger sized meters, mounts flush, built-in J-Channel
- Easy to install
- Screw or nail onto any surface



MINI

Item # MTS 03 0402 *** 10 per box

- Locking positions .50", .85"
- For door bells, switches, outlets, etc.

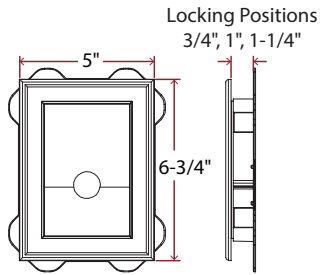


MINI MOUNT PRE-CUT

Item # MTS 03 0403 *** 10 per box

- Locking positions .50", .85"

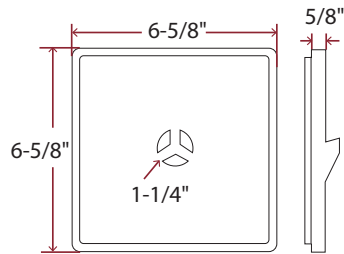
*** Indicates color numbers



SPLIT BLOCK MINI

Item # MTS 03 0401 *** 10 per box

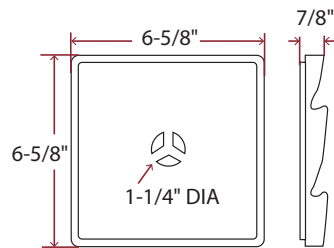
- Locking positions .75", 1.00", 1.25"
- Fits around existing pipes and wires
- Block splits apart



SURFACE BLOCK FOR DUTCH LAP SIDING

Item # MTS 03 0502 *** 10 per box

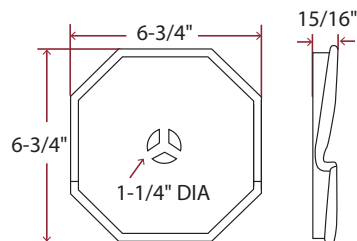
- For installing fixtures, after the siding is up



SURFACE BLOCK FOR TRIPLE 3" SIDING

Item # MTS 03 0503 *** 10 per box

- For installing fixtures, after the siding is up



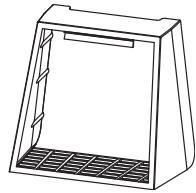
SURFACE BLOCK FOR 4"-10" SIDING

Item # MTS 03 0504 *** 10 per box

- For installing fixtures, after the siding is up

*** Indicates color numbers

UTILITY VENTS



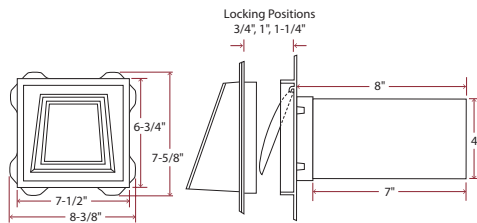
Optional Small Animal Guard
Not for dryer vent

SMALL ANIMAL GUARD FOR 4" HOODED VENT

Available in 001, 002, 023, plus Paintable (030).

Item # MTS 98 0605 *** 1 per box

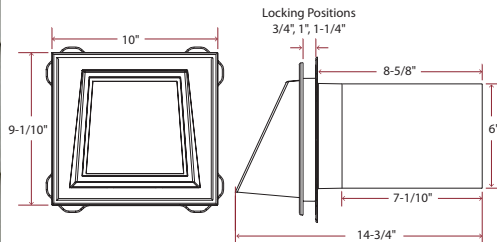
- Fits inside the vent
- Order in addition to the 4" Hooded Vent



4" HOODED VENT

Colors Item # MTS 03 0805 *** 1 per box
White (001) & Paintable (030) Item # MTS 03 0804 *** 4 per box

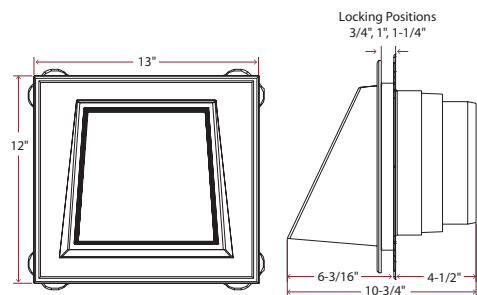
- Locking positions .75", 1.00", 1.25"
- 12 sq. in. net free ventilation area
- Concealed exhaust flap
- Wire Screen sold separately. Item # MTS 98 0886 000



6" HOODED VENT

Item # MTS 03 0806 *** 1 per box

- Locking positions .75", 1.00", 1.25"
- Concealed exhaust flap
- Wire screen included
- Includes 7" long aluminum tube
- 25 sq. in. net free ventilation area

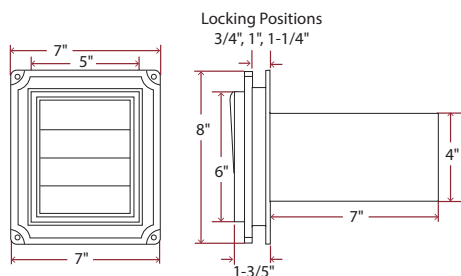


8" HOODED VENT

Item # MTS 03 0808 *** 1 per box

- Meets the increased air flow requirements of newer high efficiency HVAC Systems
- Can be installed with an 8" or 7" diameter tube (not included)
- Adapter for 7" diameter tube is included
- Concealed exhaust flap
- Wire screen included
- 48 sq. in. net free ventilation area

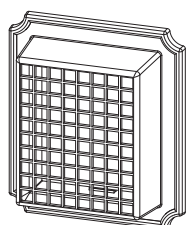
*** Indicates color numbers



EXHAUST VENT

Scalloped Item # MTS 03 0801 *** 4 per box
 Square Item # MTS 03 0802 *** 4 per box

- Locking positions .75", 1.00", 1.25"
- 12 sq. in. net free ventilation area



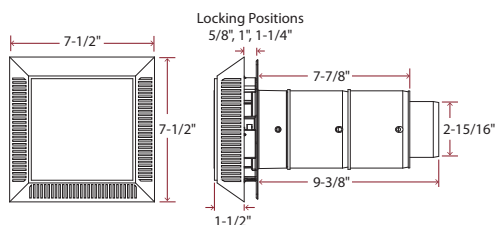
Optional Small Animal Guard

SMALL ANIMAL GUARD

For Exhaust Vent

Item # MTS 98 0606 *** 1 per box

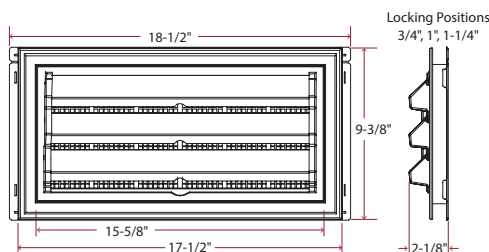
- Use in place of the trim ring
- Order in addition to the Master Exhaust Vent



INTAKE / EXHAUST VENT

Item # MTS 03 0807 *** 1 per box

- Locking positions .625", 1.00", 1.25"
- Full fiberglass screening
- (Not for use as a dryer or furnace vent)
- Adjustable Vent Tube adjusts from 1½" to 8" and comes reduces from 4" to 3"
- 12 sq. in. net free ventilation area



FOUNDATION MASTER™ KIT - MOLDED SCREEN

Molded Screen Item # MTS 03 6400 *** 10 per box

- 1/4" molded screen for insect protection
- 50 sq. in. net free ventilation area
- Includes optional fixed louver
- For new construction or remodeling applications

FOUNDATION MASTER™ KIT - WIRE SCREEN

Item # MTS 03 6409 *** 10 per box

- 1/4" molded kit with galvanized wire screen for insect protection
- 50 sq. in. net free ventilation area
- Includes optional fixed louver
- For new construction or remodeling applications

*** Indicates color numbers

GABLE VENTS OFFER PERFORMANCE, STYLE, VERSATILITY AND PROTECTION

PERFORMANCE

TopShield® Gable Vents offer key features that have become the benchmark in the industry. Installation is easy with our wide nailing flange, leveling lines, adjustable stop gauge and snap-on trim ring. The snap-on trim ring hides rough cuts and reduces installation time, while providing a finished appearance once the vent has been installed. Each gable vent has more Net Free Ventilation Area for optimal venting than industry standards.

STYLE

TopShield® gable vents provide added architectural detail with their wood grain finish and sharp distinctive features. Choose from the most styles, sizes and colors in the industry to accent your home beautifully. Gable vents are also available in a paintable option for a custom look. These vents are easy to paint with a primer and acrylic paint.

VERSATILITY

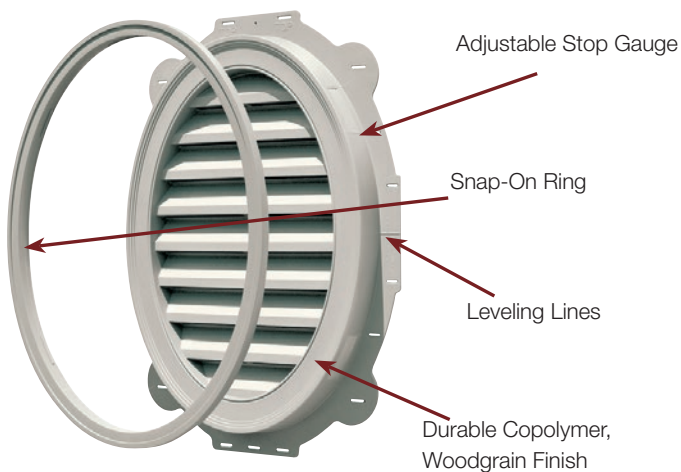
Installation is easy on all types of siding including vinyl, wood, fiber cement, stucco, brick or stone. Our gable vents work well in both new construction and remodeling applications. You also have the option of installing gable vents with a decorative application, when a functioning vent is not required. You can either install the vent over a substrate without cutting a vent hole or use the Non-Functional Gable Vents with closed louvers.

PROTECTION

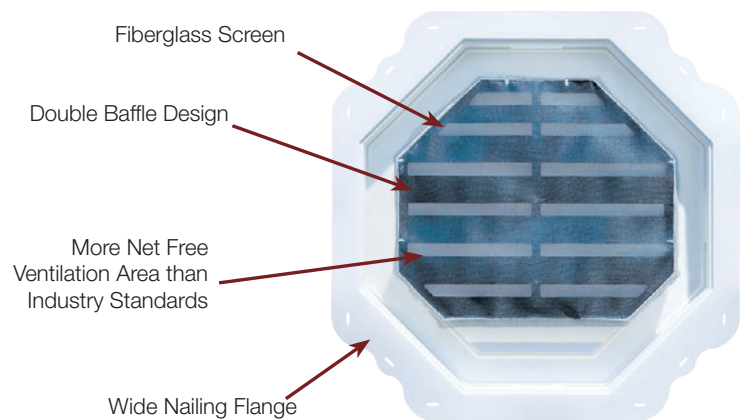
Our vents feature a double baffle design that blocks a direct view into the home and provides added protection against wind-driven rain and snow. The sealed-in fiberglass screen offers complete insect and animal protection.



Front Side Features



Back Side Features



TOPSHIELD® DESIGNER SERIES GABLE VENTS

	Item #	O. D.	Depth	NFVA	Locking Positions
30"–Designer 30" Round w/ Keystones	MTS 41 0030 ***	30" diameter	2.156"	50 sq. in.	25", .50", .75", 1.00", 1.25"
28"–Designer 28" Round w/o Keystones	MTS 41 0028 ***	28.25" diameter	2.156"	50 sq. in.	.75", 1.00", 1.25", 1.50"



Designer 30" Round
with Keystones



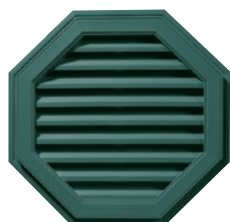
Designer 28" Round
without Keystones



Round Top



Oval



Octagon



Round



Half Round



Rectangle/Square

TOPSHIELD® STANDARD SERIES GABLE VENTS

	Item #	O. D.	Depth	NFVA	Locking Positions
Round Top					
14" x 22" K	MTS 44 1422 ***	16"x 24"	2.187"	50 sq. in.	.50", .75", 1.00", 1.25"
22" x 32" K	MTS 44 2232 ***	22"x 32"	2.187"	70 sq. in.	.50", .75", 1.00", 1.25"
Oval					
21" x 27" K	MTS 42 2127 ***	21"x 27"	2.175"	57 sq. in.	.75", 1.0", 1.25", 1.50"
Octagon					
18"	MTS 40 0018 ***	18" width	2"	26 sq. in.	.75", 1.0", 1.25", 1.50"
22" K *	MTS 40 0022 ***	22" width	2"	54 sq. in.	.75", 1.0", 1.25", 1.50", 1.625"
27" K	MTS 40 0027 ***	27" width	2"	81 sq. in.	.75", 1.0", 1.25", 1.50"
32" K	MTS 40 0032 ***	32" width	2"	110 sq. in.	.75", 1.0", 1.25", 1.50"
Round					
18"	MTS 41 0018 ***	18" diameter	2"	26 sq. in.	0", .25", .5", .75", 1.00", 1.25"
22" K *	MTS 41 0022 ***	22" diameter	2"	50 sq. in.	.75", 1.00", 1.25", 1.5", 1.625"
36" K	MTS 41 0036 ***	36" diameter	2"	140 sq. in.	.75", 1.00", 1.25", 1.5"
Half Round					
34" x 22" K	MTS 43 2234 ***	22.1" x 34.2"	2.1"	100 sq. in.	.75", 1.0", 1.25", 1.50"
Rectangle / Square					
12" x 12"–Colors / Paintable*	MTS 46 1212 ***	14.2"x 14.2"	1.75"	38 sq. in.	.50", .75", 1.00", 1.25", 1.625"
12" x 12"–White (5 pack)*	MTS 46 1205 001	14.2"x 14.2"	1.75"	38 sq. in.	.50", .75", 1.00", 1.25", 1.625"
12" x 18"–Colors / Paintable*	MTS 45 1218 ***	14"x 20"	1.75"	36 sq. in.	.50", .75", 1.00", 1.25", 1.625"
12" x 18"–White (5 pack)*	MTS 45 1805 001	14"x 20"	1.75"	36 sq. in.	.50", .75", 1.00", 1.25", 1.625"
18" x 24" Classic Style K	MTS 45 2401 ***	20.2"x 26.2"	2.18"	63 sq. in.	.50", .75", 1.00", 1.25"
18" x 24"–Colors / Paintable*	MTS 45 1824 ***	20.2"x 26"	1.75"	140 sq. in.	.50", .75", 1.00", 1.25", 1.625"
18" x 24"–White (5 pack)*	MTS 45 2405 001	20.2"x 26"	1.75"	140 sq. in.	.50", .75", 1.00", 1.25", 1.625"
20" x 30" Classic Style K *	MTS 45 2430 ***	22.625" x 32.625"	1.75"	298 sq. in.	.75", 1.25", 1.625"

GABLE VENT KEYSTONE

Item # MTS 40 0000 ***



K=Keystones available.

Modifications need to be made in the field for a keystone to fit except for:

- 22" Octagon
- 22" Round
- 22" x 34" Half Round vents

O.D.= Outside Dimensions

(outside of ring to outside of ring)

Depth= Thickness

NFVA= Net Free Ventilation Area

(square inches)

*** Indicates color numbers



SPECIALTY GABLE VENTS

- Sonically welded vents
- Style-A-Vents & Specialty Vents are only available in White (001) and Paintable (030). Not part of 25 minimum color offering

Product Specs available upon request.

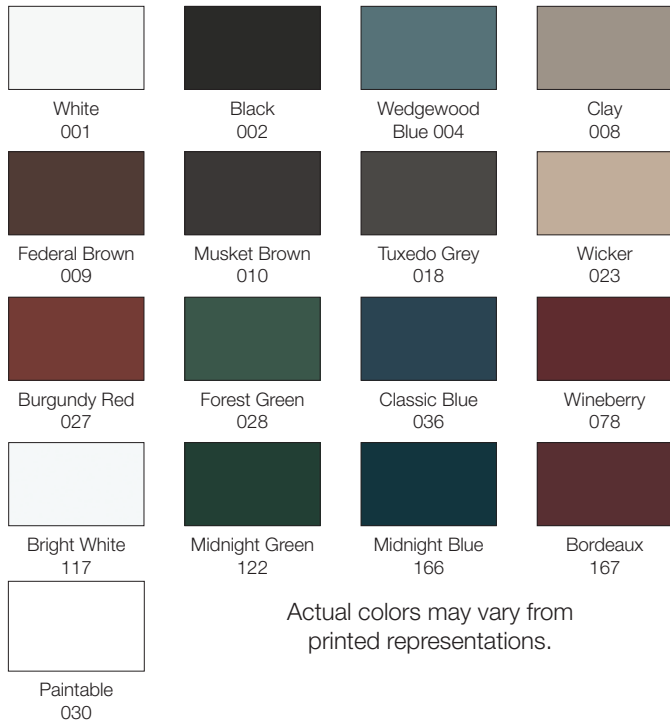
TRIANGLE	Item #	Pitch	O.D.	Depth	NFVA Sq. In	Locking Position
Triangle-14.5" x 74"	MTS 47 0404 ***	4/12 Pitch	14.5"x 74"	2.125"	56	.625", .875", 1.125", 1.375"
Triangle-17" x 70.5"	MTS 47 0505 ***	5/12 Pitch	16.9"x 70.5"	2.125"	74	.625", .875", 1.125", 1.375"
Triangle-18" x 72.5"	MTS 47 0605 ***	6/12 Pitch	18.1"x 72.5"	2.125"	61	.625", .875", 1.125", 1.375"
Triangle-20.5" x 70.5"	MTS 47 0706 ***	7/12 Pitch	20.5"x 70.5"	2.125"	81	.625", .875", 1.125", 1.375"
Triangle-21" x 62.5"	MTS 47 0806 ***	8/12 Pitch	20.8"x 62.5"	2.125"	69	.625", .875", 1.125", 1.375"
Triangle-23"x 62"	MTS 47 0907 ***	9/12 Pitch	23.1"x 61.8"	2.125"	89	.625", .875", 1.125", 1.375"
Triangle-23" x 56"	MTS 47 1007 ***	10/12 Pitch	23.4"x 56"	2.125"	77	.625", .875", 1.125", 1.375"
Triangle-26" x 56"	MTS 47 1108 ***	11/12 Pitch	25.8"x 56.3"	2.125"	96	.625", .875", 1.125", 1.375"
Triangle-26" x 52"	MTS 47 1208 ***	12/12 Pitch	26"x 52"	2.125"	88	.625", .875", 1.125", 1.375"
Triangle-17" x 34"	MTS 47 1204 ***	12/12 Pitch	17"x 34.1"	2.125"	19	.625", .875", 1.125", 1.375"



*** Indicates color numbers

COLOR PROGRAM

SHUTTER COLORS



STOCK VENT COLORS*



STANDARD SHUTTERS:

Louver, Raised Panel, and Board-N-Batten

17 Colors: 001, 002, 004, 008, 009, 010, 018, 023, 027, 028, 036, 078, 117, 122, 166, 167 and paintable (030)

NON-STOCK COLOR PROGRAM:

Standard sized shutters can be produced in any color. This program is designed to provide color options on large scale projects. The lead time is 4 weeks and orders are non-cancelable and non-returnable. 25 pair minimum.

CUSTOM COLOR PROGRAM:

Standard Shutters can be produced in a custom color. Minimum order size of 100 pairs per color, per size. Different size shutters or colors cannot be combined to achieve the minimum order. Custom color orders have a 10 week lead time. Orders are non-cancelable and non-returnable. Additional charges apply.

MOUNT BLOCK UTILITY VENT COLOR PROGRAM

- Available in our full color offering.
- All Mount Blocks including Standard, Water Management, Insulated Siding.
- All Utility Vents including Standard, Water Management, Insulated Siding.
- Foundation Master is available in the 24 stock colors plus paintable.

*Available in our full page color offering with a 3 box minimum.

GABLE VENT COLOR PROGRAM

001, 002, 008, 011, 012, 013, 016, 020, 021, 023, 028, 034, 045, 048, 049, 069, 078, 082, 085, 089, 095, 097, 117, 123 and Paintable (030)




TopShield[®]

TOPSHIELDPRODUCTS.COM